

TECHNICAL INFORMATION FOR THE

---

**TIMco**  
**Multi-Fix**<sup>®</sup>  
**STELLA FIXINGS**

---



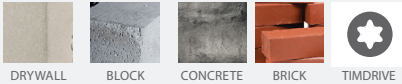
TECHNICAL DATA SHEET



## MULTI-FIX STELLA FIXING



• A highly effective universal anchor for fixing heavy loads to plasterboard and solid materials.



### FEATURES



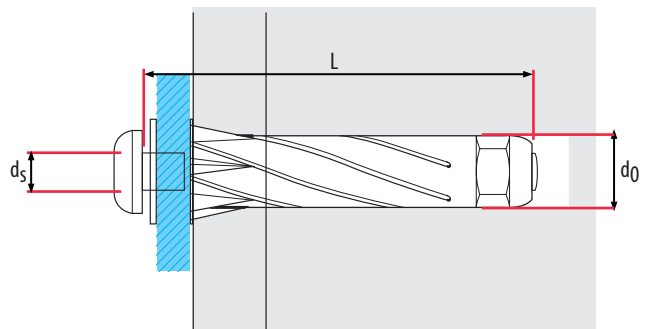
- T-25 TIMdrive recess, allows simple installation with a screw driver.
- Strengthened nylon plug with captivated steel threaded nut.
- Zinc plated screw.

### PRODUCT RANGE

Product Code	Screw Size (mm)	Anchor Plug Length (mm)	Wall Thickness (mm)	MFT (mm)	Box Qty
STRED55	M5 x 55	49	3 - 18	15	25
STRED80	M5 x 80	49	3 - 18	40	25
STBLACK65	M5 x 65	59	18 - 30	12	25
STBLACK90	M5 x 90	59	18 - 30	38	25

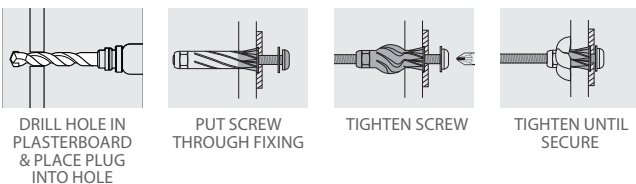
### INSTALLATION DATA

Product Code	Plug Length L (mm)	Drill Hole d <sub>0</sub> (mm)	Screw Dia. d <sub>s</sub> (mm)	Recess
STRED55	49	10	M5	T25
STRED80	49	10	M5	T25
STBLACK65	59	10	M5	T25
STBLACK90	59	10	M5	T25



L	Plug Length	h <sub>0</sub>	Min. Drill Hole Depth
d <sub>0</sub>	Drill Hole	d <sub>s</sub>	Screw Dia.

### INSTALLATION GUIDELINES DRYLINING

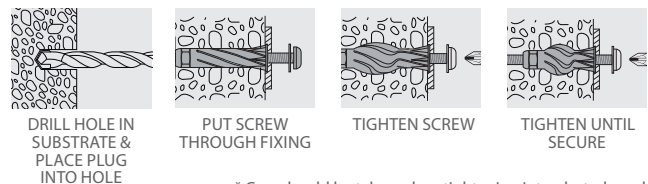


### TECHNICAL DATA DRYLINING



Substrate	Plasterboard 12.5mm Thickness	Dense board 12.5mm Thickness	Double board 25mm Thickness
Anchor Type	Red	Red	Black
Anchor Length (mm)	49	49	59
Drill Hole Ø (mm)	10	10	10
Rec. Tensile Load (kN)	0.33	0.41	0.48
Max Rec. Load (kg)	33	41	48

### INSTALLATION GUIDELINES OTHER SUBSTRATES



\* Care should be taken when tightening into plasterboard and blocks with low compressive strength

### TECHNICAL DATA OTHER SUBSTRATES



Substrate	C25 Concrete	7.0 kN Hollow Block	7.5 kN Block
Anchor Type	Red	Red	Red
Anchor Length (mm)	49	49	59
Drill Hole Ø (mm)	10	10	10
Rec. Tensile Load (kN)	0.65	0.33	0.29
Max Rec. Load (kg)	65	33	29

\*All performance data has been given safety factor of 3:1